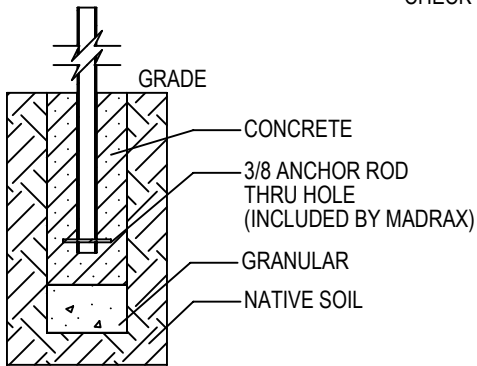
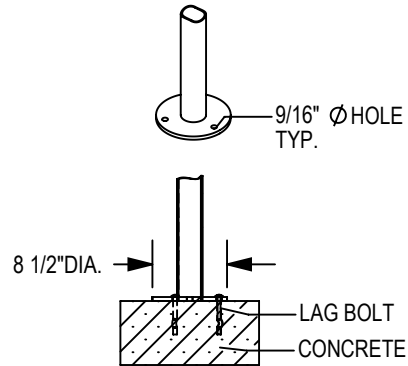


CHECK DESIRED MOUNT



IN GROUND MOUNT (IG)



SURFACE FLANGE MOUNT (SF)

SECTION VIEWS

PRODUCT: BOL450-SF(IG)
 DESCRIPTION: 4 1/2" OD BOLLARD
 SURFACE OR IN GROUND MOUNT

DATE: 8-5-02
 ENG: TLG

CONFIDENTIAL DRAWING AND INFORMATION IS NOT TO BE COPIED OR DISCLOSED TO OTHERS WITHOUT THE CONSENT OF TRILARY, INC. SPECIFICATIONS ARE SUBJECT TO CHANGE WITHOUT NOTICE.

NOTES:

1. INSTALL BIKE RACKS ACCORDING TO MANUFACTURER'S SPECIFICATIONS.
2. CONSULTANT TO SELECT COLOR(FINISH), SEE MANUFACTURER'S SPECIFICATIONS.
3. SEE SITE PLAN FOR LOCATION OR CONSULT OWNER.