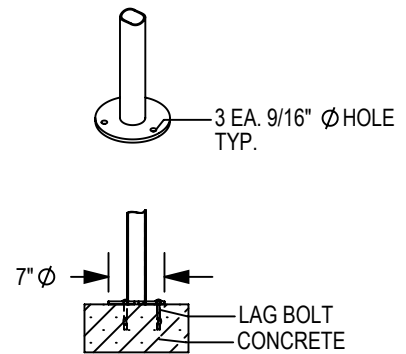
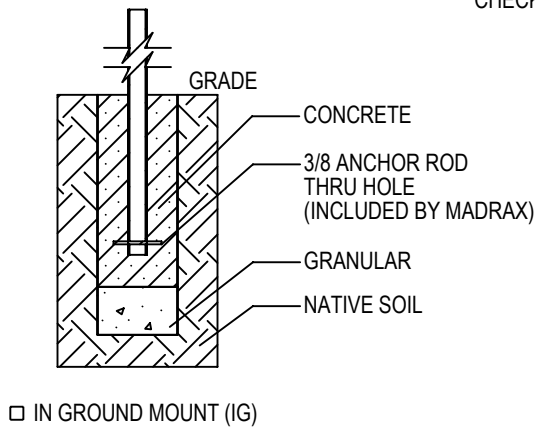


CHECK DESIRED MOUNT □



SECTION VIEWS

PRODUCT: CIR-2-IG(SF)
 DESCRIPTION: CIRCA 2000 BIKE RACK
 2 BIKE, SURFACE OR IN GROUND MOUNT

DATE: 8-5-02
 ENG: TLG

NOTES:

1. INSTALL BIKE RACKS ACCORDING TO MANUFACTURER'S SPECIFICATIONS.
2. CONSULTANT TO SELECT COLOR(FINISH), SEE MANUFACTURER'S SPECIFICATIONS.
3. SEE SITE PLAN FOR LOCATION OR CONSULT OWNER.