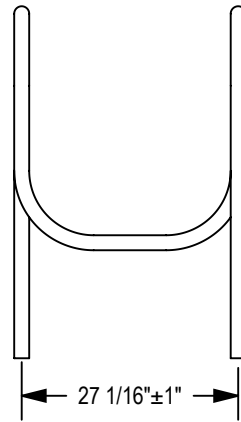
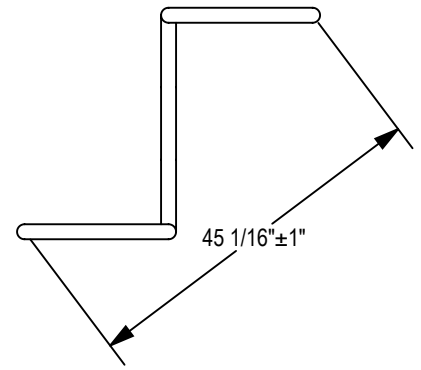


ELEVATION VIEWS



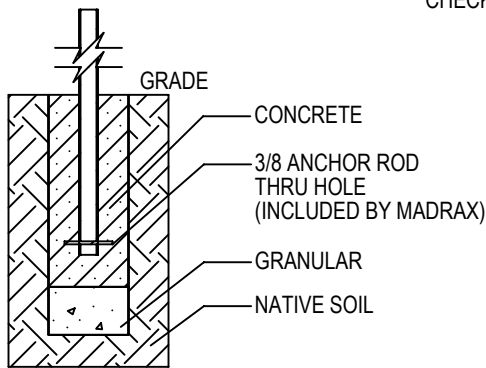
27 1/16"±1"



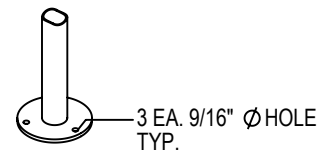
PLAN VIEW

2 HOOP - 4 BIKE CAPACITY

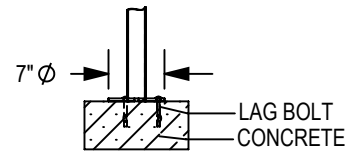
CHECK DESIRED MOUNT



IN GROUND MOUNT (IG)



3 EA. 9/16" Ø HOLE TYP.



SURFACE FLANGE MOUNT (SF)

SECTION VIEWS

PRODUCT: CIR-4-IG(SF)  
 DESCRIPTION: CIRCA 2000 BIKE RACK  
 4 BIKE, SURFACE OR IN GROUND MOUNT

DATE: 8-5-02  
 ENG: TLG

NOTES:

1. INSTALL BIKE RACKS ACCORDING TO MANUFACTURER'S SPECIFICATIONS.
2. CONSULTANT TO SELECT COLOR(FINISH), SEE MANUFACTURER'S SPECIFICATIONS.
3. SEE SITE PLAN FOR LOCATION OR CONSULT OWNER.