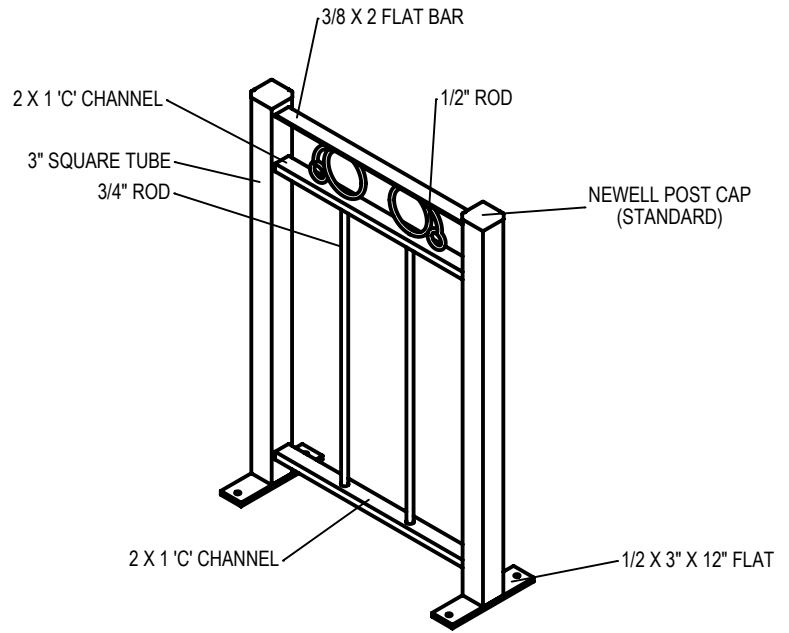
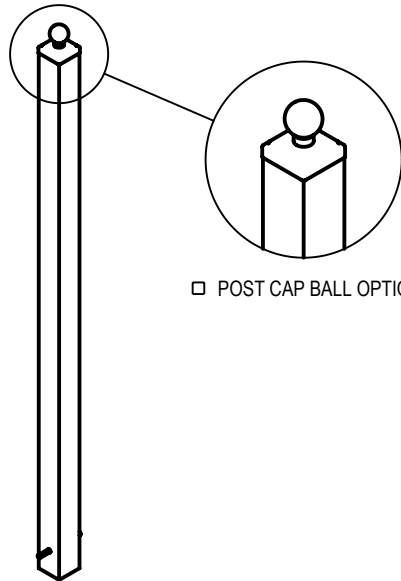
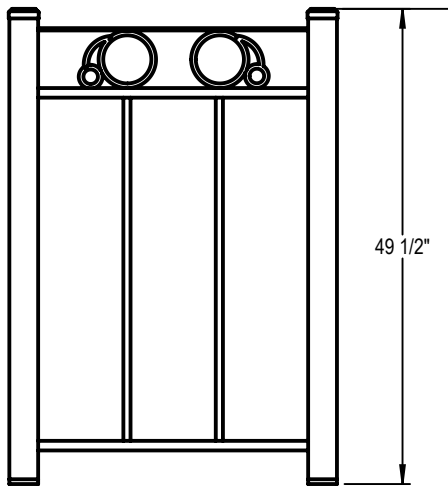


CHECK MOUNTING OPTION



SURFACE MOUNT



POST CAP BALL OPTION

IN-GROUND MOUNT DETAIL  
 24" BURIAL WITH INCLUDED  
 ANCHOR ROD

PRODUCT: GRR-5-SF(IG)  
 DESCRIPTION: GRAMERCY BIKE RACK  
 5 BIKE, SURFACE OR IN GROUND MOUNT  
 DATE: 1-15-07  
 ENG: TLG

CONFIDENTIAL DRAWING AND INFORMATION IS NOT TO BE COPIED OR DISCLOSED TO OTHERS WITHOUT THE CONSENT OF TRILARY, INC. SPECIFICATIONS ARE SUBJECT TO CHANGE WITHOUT NOTICE.

SITE FURNISHING IS POWDER COATED WITH TGIC POLYESTER. STEEL SURFACE PREP INCLUDES MECHANICAL AND CHEMICAL ETCHING FOLLOWED WITH AN IRON PHOSPHATE COATING TO IMPROVE ADHESION AND CORROSION RESISTANCE.