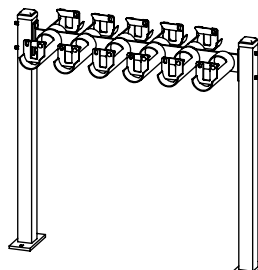
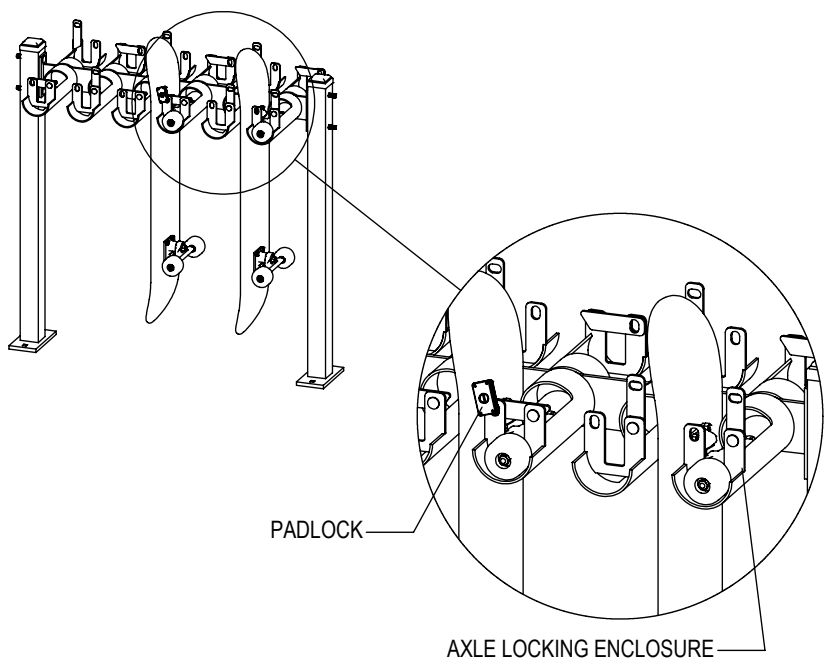
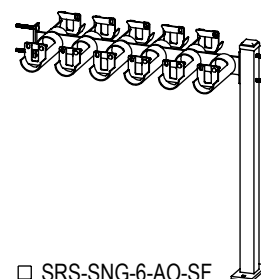




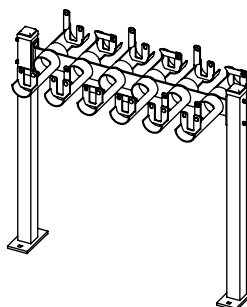
TRILARY, INC.  
 1080 UNIEK DRIVE  
 WAUNAKEE, WI 53597  
 P(800) 448-7931, P(608) 849-1080, F(608) 849-1081  
 WWW.MADRAX.COM, E-MAIL: SALES@MADRAX.COM



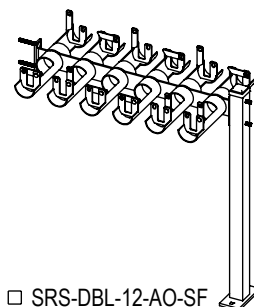
□ SRS-SNG-6-SF



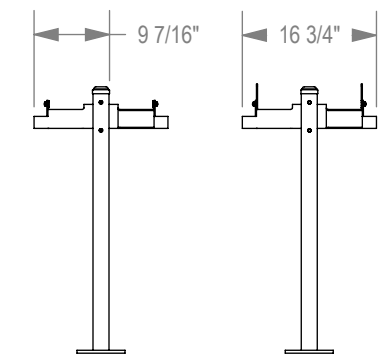
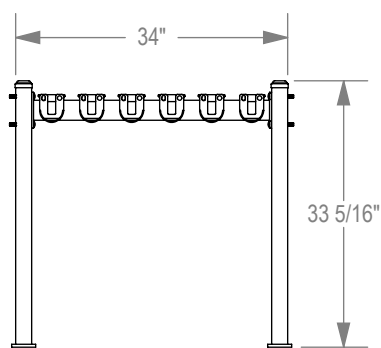
□ SRS-SNG-6-AO-SF  
ADD ON



□ SRS-DBL-12-SF

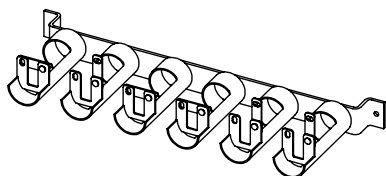


□ SRS-DBL-12-AO-SF  
ADD ON

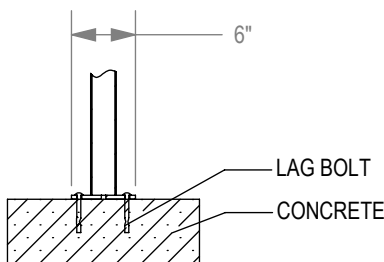


□ SRS-SNG-6-SF

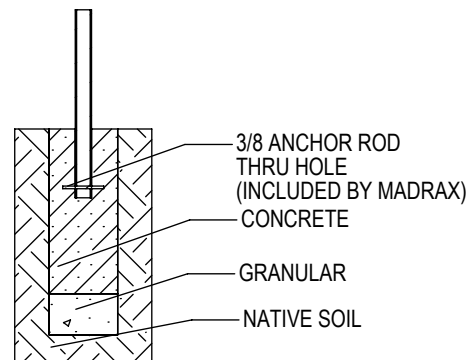
□ SRS-DBL-12-SF



□ SRS-SNG-6-WM WALL MOUNT



□ SURFACE MOUNT (SF)



□ IN GROUND MOUNT (IG)

PRODUCT: SRS-SNG(DBL)-6(12)  
 DESCRIPTION: SKATEBOARD RACK SYSTEM  
 SINGLE 6 BOARD, DOUBLE 12 BOARD CAPACITY

DATE: 2-26-09  
 ENG: TLG

NOTES:

1. INSTALL RACKS ACCORDING TO MANUFACTURER'S SPECIFICATIONS.
2. CONSULTANT TO SELECT COLOR(FINISH), SEE MANUFACTURER'S SPECIFICATIONS.
3. SEE SITE PLAN FOR LOCATION OR CONSULT OWNER.