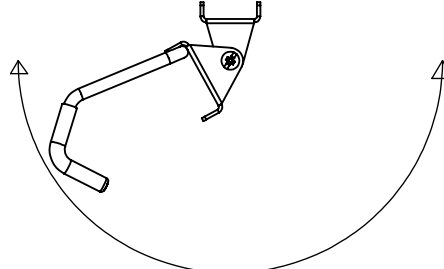
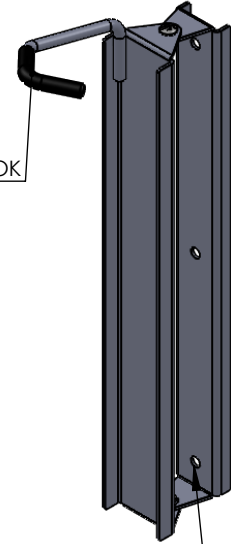


FITS TIRES UP TO 2-1/4 INCHES WIDE

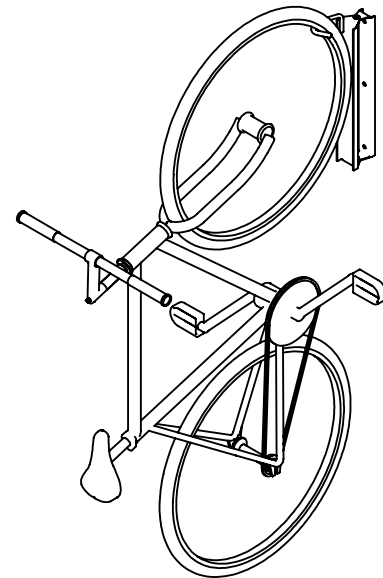
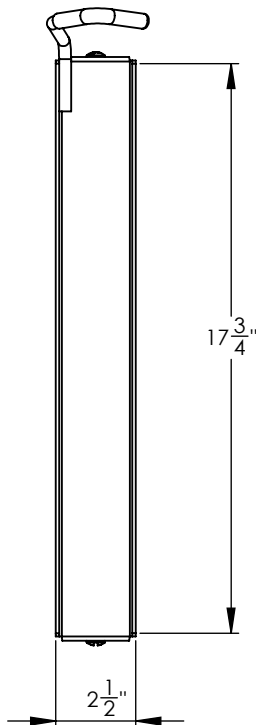


180 DEGREE SWING TO FOLD AGAINST WALL.



CUSHIONED HOOK

MOUNTING HOLES



PRODUCT: BSVH-1  
 DESCRIPTION: VERTICAL BICYCLE STORAGE, SWING AWAY, NON-LOCKING

DATE: 3-3-2020  
 ENG: BLW

CONFIDENTIAL DRAWING AND INFORMATION IS NOT TO BE COPIED OR DISCLOSED TO OTHERS WITHOUT THE CONSENT OF GRABER MANUFACTURING, INC. SPECIFICATIONS ARE SUBJECT TO CHANGE WITHOUT NOTICE.

- NOTES:
1. INSTALL BIKE RACKS ACCORDING TO MANUFACTURER'S SPECIFICATIONS.
  2. CONSULTANT TO SELECT COLOR (FINISH), SEE MANUFACTURER'S SPECIFICATIONS.
  3. SEE SITE PLAN FOR LOCATION OR CONSULT OWNER.