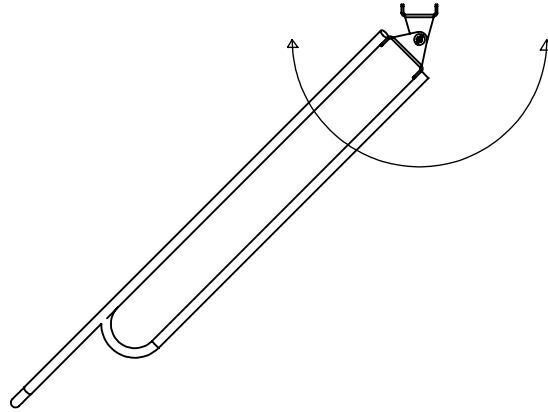
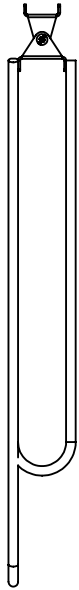


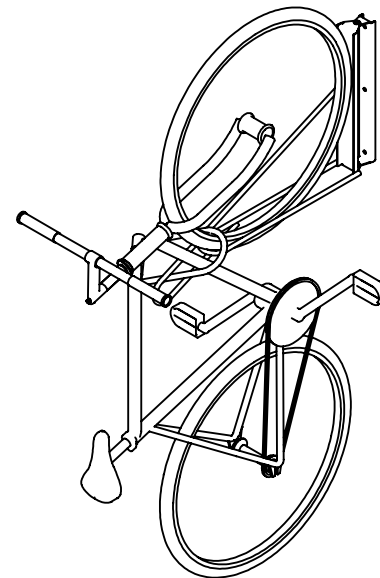
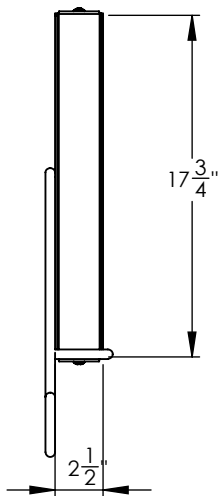
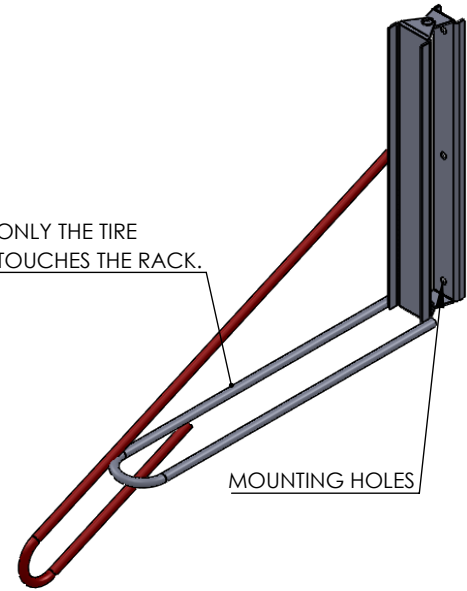
FITS TIRES UP TO 2-1/4  
INCHES WIDE

180 DEGREE SWING TO  
FOLD AGAINST WALL.



ONLY THE TIRE  
TOUCHES THE RACK.

MOUNTING HOLES



PRODUCT: BSVS-1  
DESCRIPTION: VERTICAL BICYCLE STORAGE, SWING AWAY, LOCKING

DATE: 3-3-2020  
ENG: BLW

CONFIDENTIAL DRAWING AND INFORMATION IS NOT TO BE COPIED OR DISCLOSED TO OTHERS WITHOUT THE CONSENT OF GRABER MANUFACTURING, INC. SPECIFICATIONS ARE SUBJECT TO CHANGE WITHOUT NOTICE.

- NOTES:
1. INSTALL BIKE RACKS ACCORDING TO MANUFACTURER'S SPECIFICATIONS.
  2. CONSULTANT TO SELECT COLOR (FINISH), SEE MANUFACTURER'S SPECIFICATIONS.
  3. SEE SITE PLAN FOR LOCATION OR CONSULT OWNER.