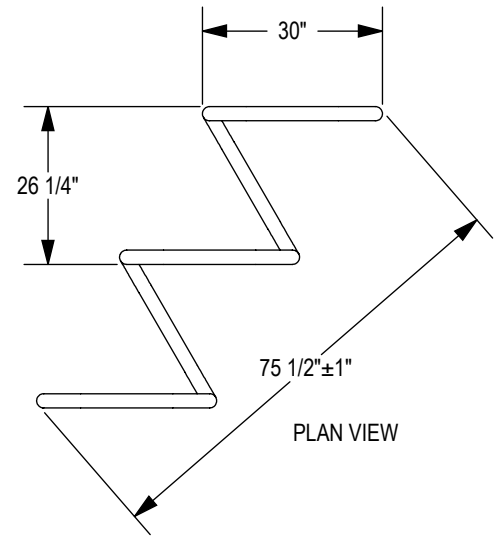
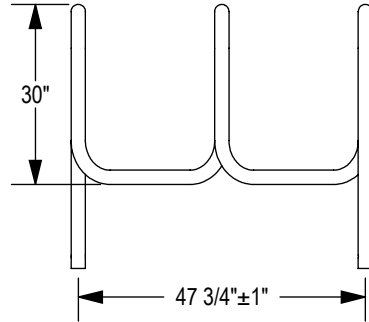
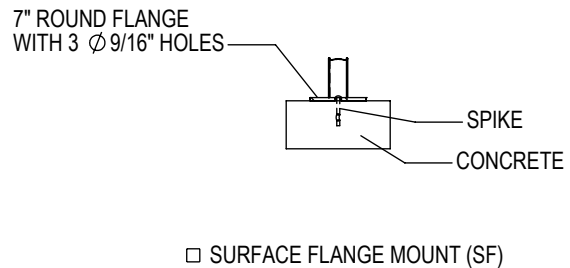
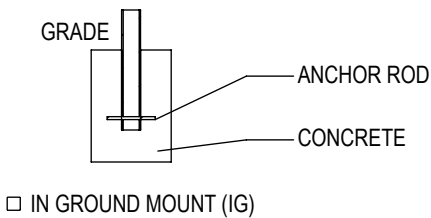


ELEVATION VIEWS
 3 HOOP - 6 BIKE



CHECK DESIRED MOUNT



PRODUCT: GNS-6-IG(SF)
 DESCRIPTION: GENESIS BIKE RACK
 6 BIKE, SURFACE OR IN GROUND MOUNT
 DATE: 10-16-18
 ENG: SMC

HOLES FOR GALVANIZING ON CORNERS

- NOTES:
1. INSTALL BIKE RACKS ACCORDING TO MANUFACTURER'S SPECIFICATIONS.
 2. CONSULTANT TO SELECT COLOR (FINISH), SEE MANUFACTURER'S SPECIFICATIONS.
 3. SEE SITE PLAN FOR LOCATION OR CONSULT OWNER.