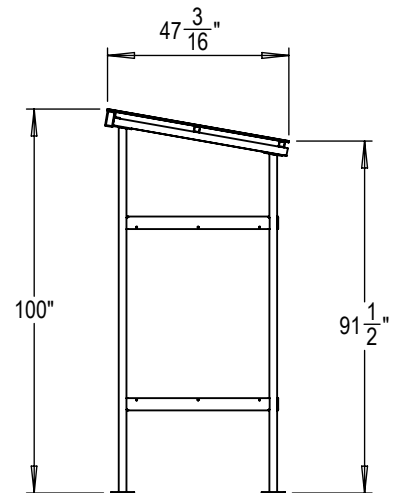
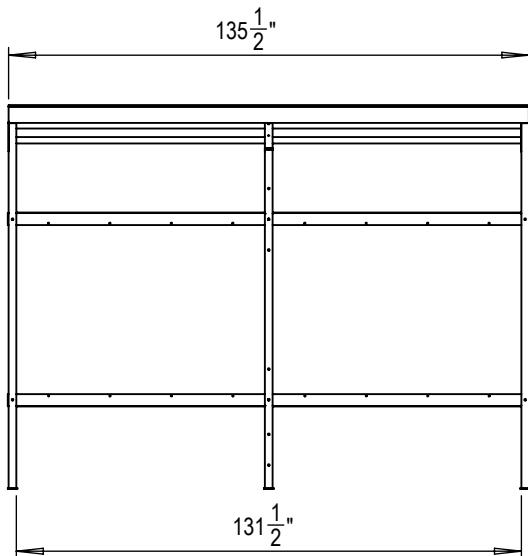
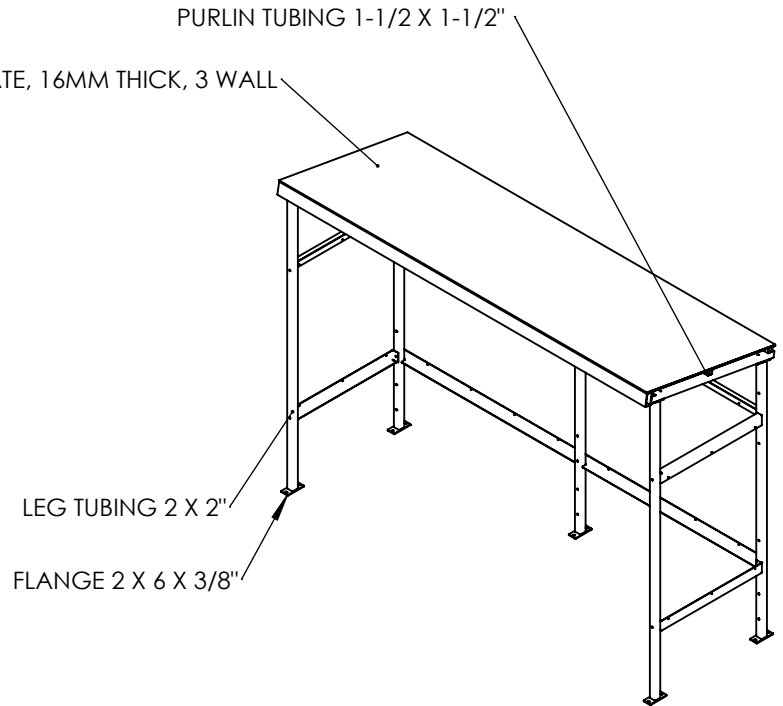


POLYCARBONATE, 16MM THICK, 3 WALL



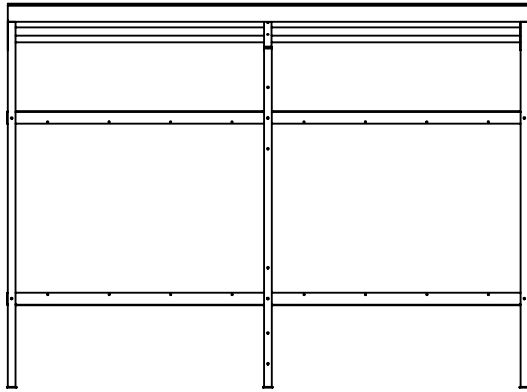
PART: SHD-V12-G
 DESCRIPTION: SHED, 12 FOOT, VERTICAL

DATE: 9-22-17
 ENG: SMC

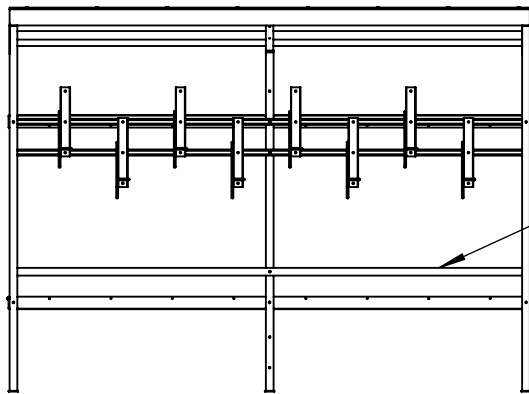
CONFIDENTIAL DRAWING AND INFORMATION IS NOT TO BE COPIED OR DISCLOSED TO OTHERS WITHOUT THE CONSENT OF GRABER MANUFACTURING, INC. SPECIFICATIONS ARE SUBJECT TO CHANGE WITHOUT NOTICE.

ALL STEEL IS HOT DIP GALVANIZED.
 ALL HARDWARE IS ZINC PLATED.

- NOTES:
1. INSTALL BIKE RACKS ACCORDING TO MANUFACTURER'S SPECIFICATIONS.
 2. CONSULTANT TO SELECT COLOR (FINISH), SEE MANUFACTURER'S SPECIFICATIONS.
 3. SEE SITE PLAN FOR LOCATION OR CONSULT OWNER.

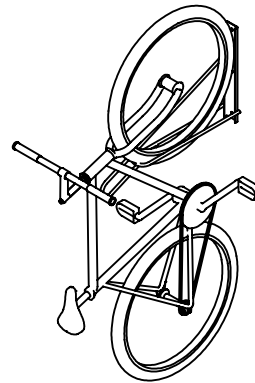


BASIC SHED

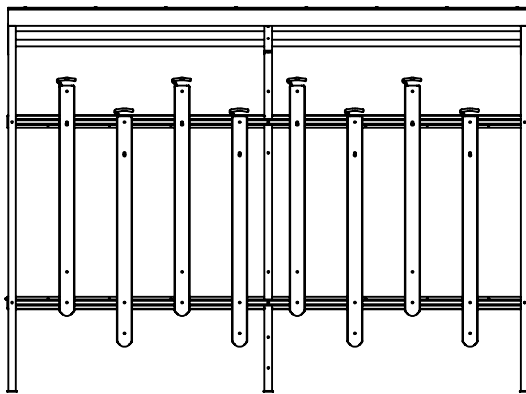


SHED WITH (8) BSV VERTICAL STORAGE RACKS

WHEEL STOP



PRODUCT: SHD-BSV8-KIT



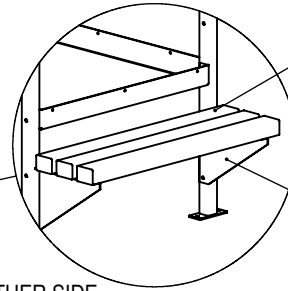
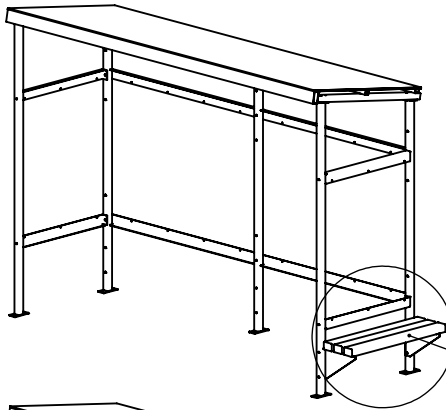
SHED WITH (8) WRK VERTICAL WALL RACKS



PRODUCT: SHD-WRK8-KIT

NOTES:

1. INSTALL BIKE RACKS ACCORDING TO MANUFACTURER'S SPECIFICATIONS.
2. CONSULTANT TO SELECT COLOR (FINISH), SEE MANUFACTURER'S SPECIFICATIONS.
3. SEE SITE PLAN FOR LOCATION OR CONSULT OWNER.

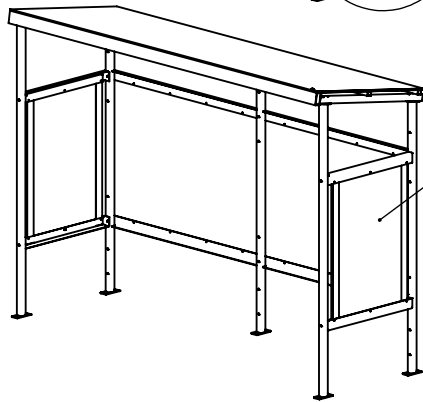


RECYCLED PLASTIC OR
HARDWOOD BOARDS, 3 X 4" PROFILES

STEEL BRACKETS

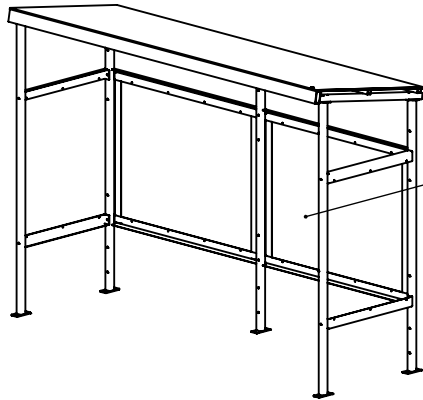
INTEGRATED BENCH. FITS EITHER SIDE.

PRODUCT: SHD-V-SEAT



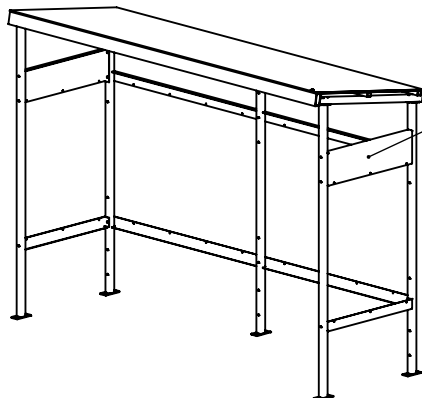
SIDE WIND BREAK. POLYCARBONATE,
16MM THICK, 3 WALL. ORDER BY EACH.

PRODUCT: SHD-V-SIDE



BACK WIND BREAK. POLYCARBONATE,
16MM THICK, 3 WALL.

PRODUCT: SHD-V12-BACK



10 X 38" SPACE TO ADHERE LOGOS
AND INFORMATION OR REQUEST A
CUSTOM LASER CUT DESIGN.

PRODUCT: SHD-V-AD-G

NOTES:

1. INSTALL BIKE RACKS ACCORDING TO MANUFACTURER'S SPECIFICATIONS.
2. CONSULTANT TO SELECT COLOR (FINISH), SEE MANUFACTURER'S SPECIFICATIONS.
3. SEE SITE PLAN FOR LOCATION OR CONSULT OWNER.