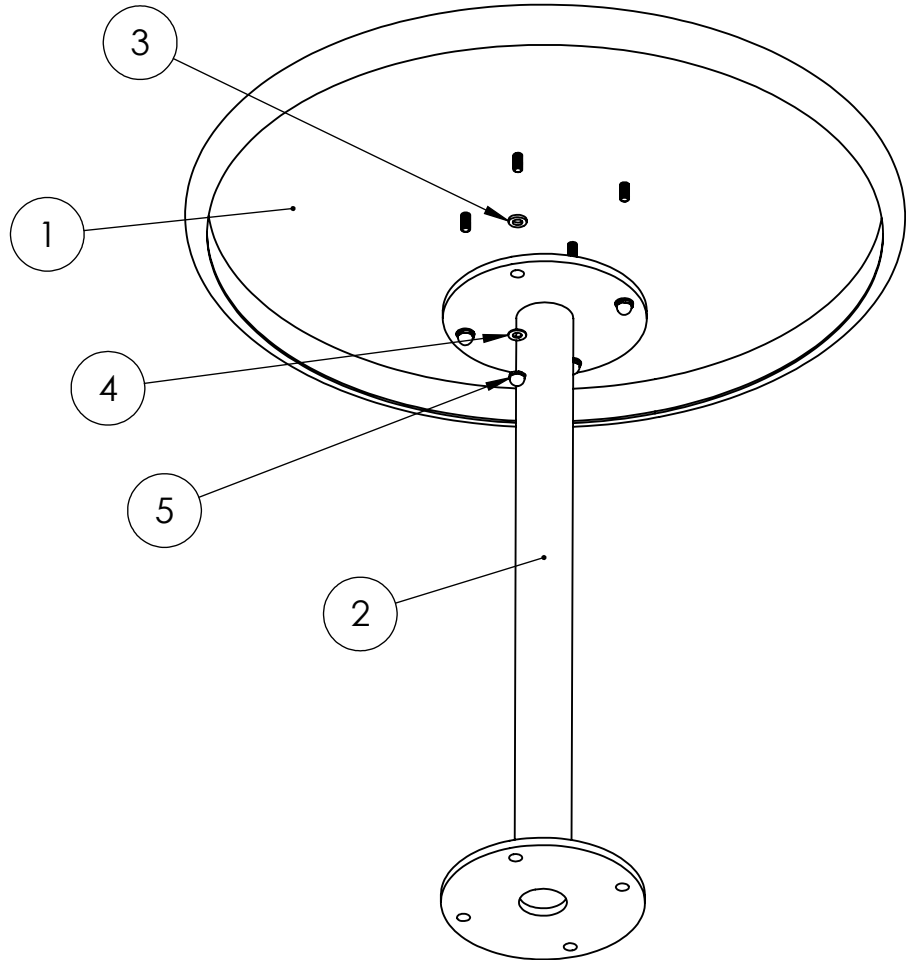


# ODYSSEY TABLE HARDWARE SHEET



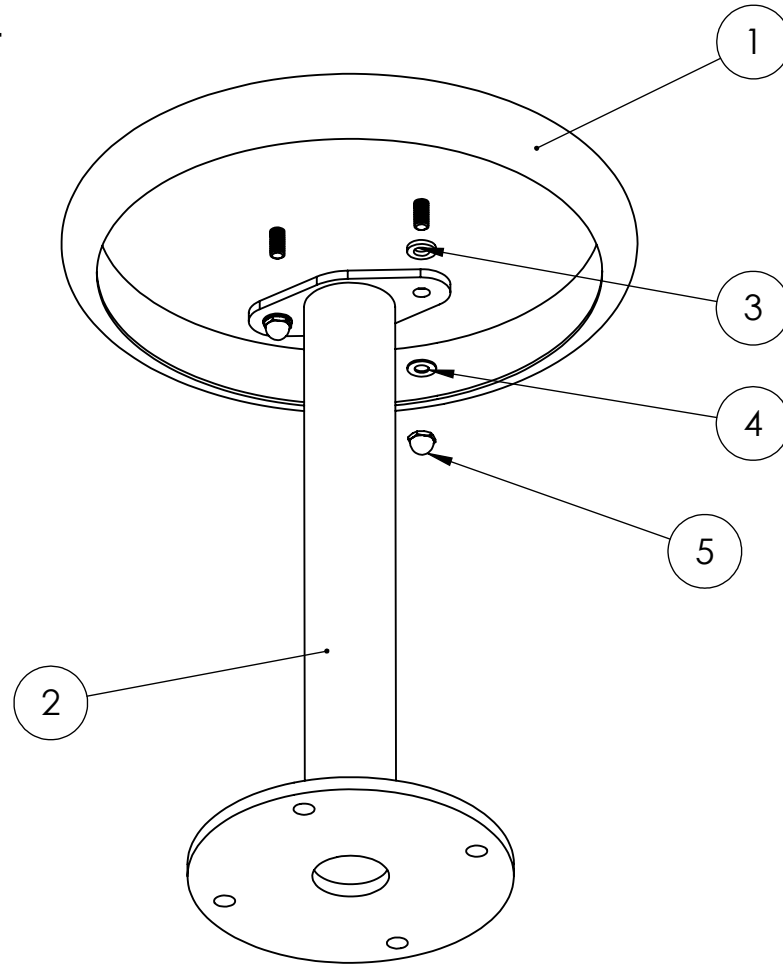
ITEM NO.	PART NUMBER	QTY.
1	TABLE TOP	1
2	TABLE LEG	1
3	WASHER NEOPRENE 3/8"	4
4	3/8" SS Flat Washer	4
5	NUT ACORN 3/8-16 7/16 HIGH	4

DINING HEIGHT WITH 30" TOP SHOWN

CONFIDENTIAL DRAWING AND INFORMATION IS NOT TO BE COPIED OR DISCLOSED TO OTHERS WITHOUT THE CONSENT OF GRABER MANUFACTURING, INC. SPECIFICATIONS ARE SUBJECT TO CHANGE WITHOUT NOTICE.

SITE FURNISHING IS POWDER COATED WITH TGIC POLYESTER. STEEL SURFACE PREP INCLUDES MECHANICAL AND CHEMICAL ETCHING FOLLOWED WITH A COATING TO IMPROVE ADHESION AND CORROSION RESISTANCE.

# ODYSSEY SEAT HARDWARE SHEET



ITEM NO.	PART NUMBER	QTY.
1	SEAT TOP	1
2	SEAT LEG	1
3	WASHER NEOPRENE 3/8"	2
4	3/8" SS Flat Washer	2
5	NUT ACORN 3/8-16 7/16 HIGH	2

DINING HEIGHT WITH FLAT SEAT SHOWN

CONFIDENTIAL DRAWING AND INFORMATION IS NOT TO BE COPIED OR DISCLOSED TO OTHERS WITHOUT THE CONSENT OF GRABER MANUFACTURING, INC. SPECIFICATIONS ARE SUBJECT TO CHANGE WITHOUT NOTICE.

SITE FURNISHING IS POWDER COATED WITH TGIC POLYESTER. STEEL SURFACE PREP INCLUDES MECHANICAL AND CHEMICAL ETCHING FOLLOWED WITH A COATING TO IMPROVE ADHESION AND CORROSION RESISTANCE.

©2016 GRABER MANUFACTURING, INC. ALL PROPRIETARY RIGHTS RESERVED.