

General Assembly Instructions:

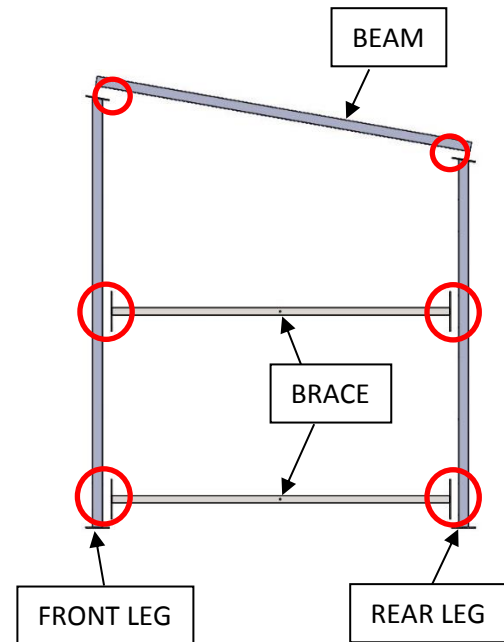
1. Insert plastic caps before assembly.
2. Leave all fasteners, screws, nuts, and bolts loose until instructed to tighten.
3. Take care to not cross thread fasteners.

Tools: 9/16" Socket with Ratchet
 3/8" Socket with Ratchet
 7/32" Allen Wrench

Materials: 3/8" x 4 1/2" Zinc Slotted Flat Head Bolt
 3/8" x 3 1/2" Zinc Hex Bolt
 3/8" Zinc Lock Washer
 3/8" Zinc Nut
 # 14 x 1 1/2" Zinc Self-Tapping Screws
 1/4" Zinc Flat Fender Washer

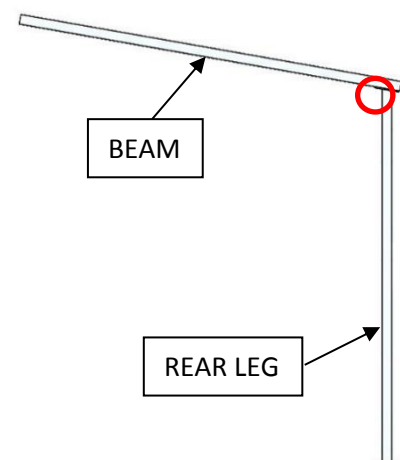
1. Start the shed installation by assembling the sides.

- a. Lay the **SHD-H12-FRONT LEG** and **SHD-H12-REAR LEG** with the **SHD-H-BEAM** and **SHD-H12-BRACE** as shown. **SHD-H-BEAM** placed so the end that has 3/4" to the first hole is on the **SHD-H12-FRONT LEG** side.
- b. Assemble the **SHD-H12-FRONT LEG** and **SHD-H12-REAR LEG** to the (2) **SHD-H-BRACES** and the insides of the legs to the **SHD-H-BEAM** using **3/8" x 3 1/2" Zinc Hex Bolt, Lock Washer and Nut**.

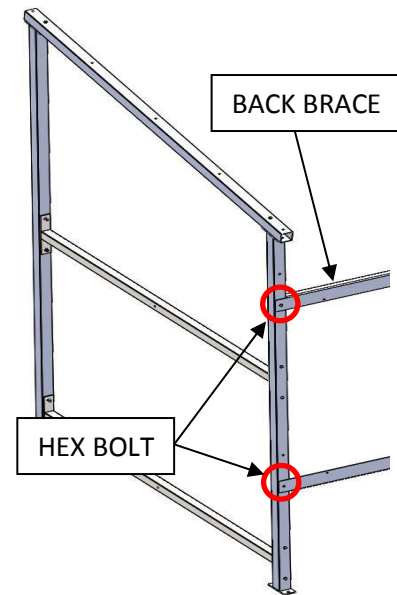


2. Assemble the center rear leg.

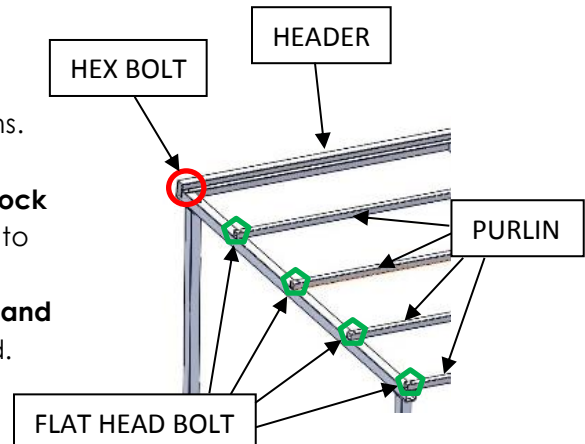
- a. Use a **3/8" x 3 1/2" Zinc Hex Bolt, Lock Washer and Nut** to affix the inside of the **SHD-H12-REAR LEG** to the **SHD-H-BEAM**.



3. Lift the sides up and attach the back braces.
 - a. Use **3/8" x 3 1/2" Zinc Hex Bolt, Lock Washers and Nuts** to attach the **SHD-H-BACK-BRACES** to the sides and center rear leg.



4. Secure the purlins and header to the roof beams.
 - a. Use **3/8" x 4 1/2" Zinc Slotted Flat Head Bolt, Lock Washer and Nut** to attach **SHD-H12 PURLINS** to the **SHD-H-BEAMS**.
 - b. Use **3/8" x 3 1/2" Zinc Hex Bolt, Lock Washers and Nuts** to attach the **SHD-H12-HDR** to the shed.



5. Tighten all fasteners.

6. Fasten the **SHD-V12 ROOF PANEL** with the **ROOF PANEL SEAM** between to the **SHD-H12 PURLINS** using **Self-Tapping Screws** and **Flat Fender Washers** spaced 4" in from the end of the panel and spaced every 8 1/4".

