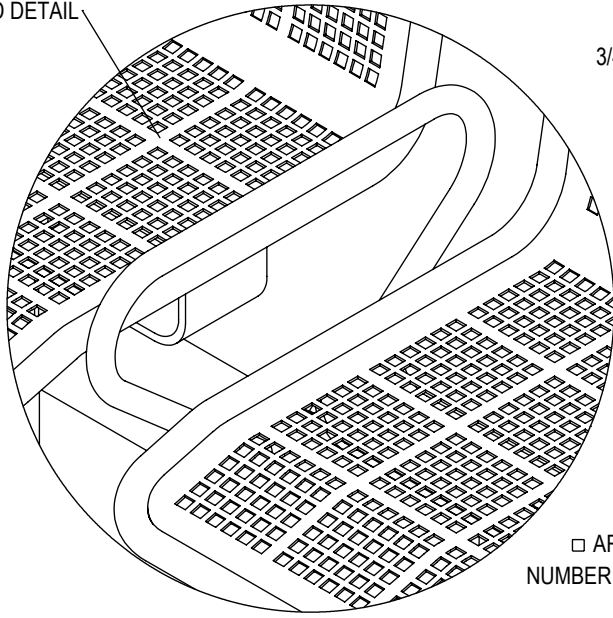
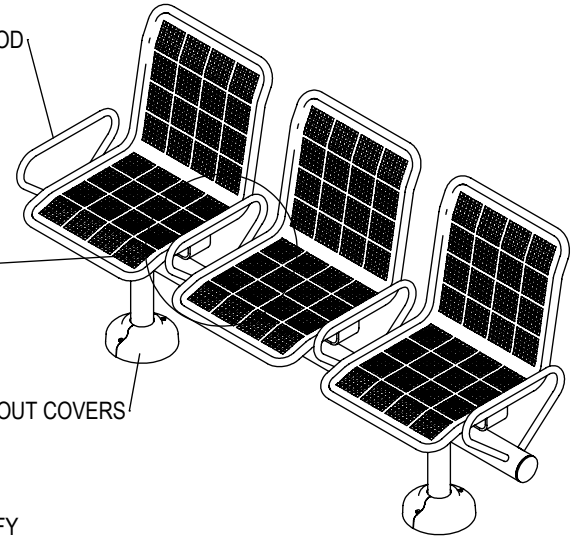


PERFORATED DETAIL

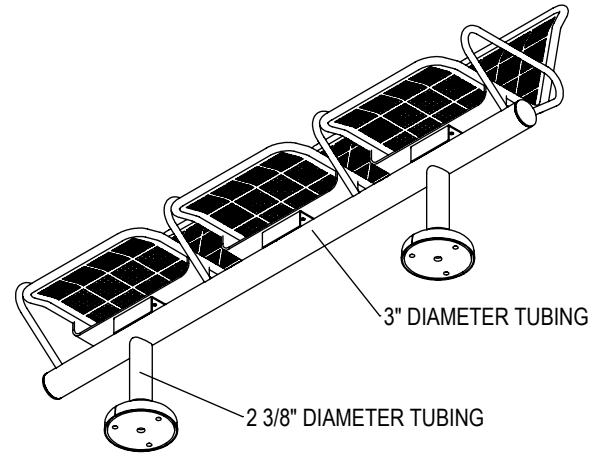
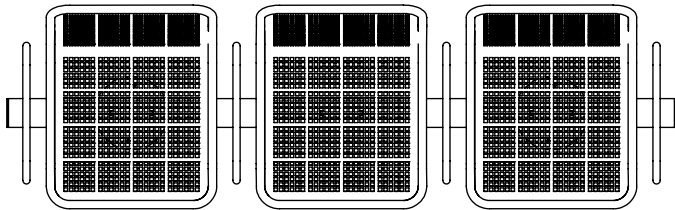


3/4" ROUND STEEL ROD



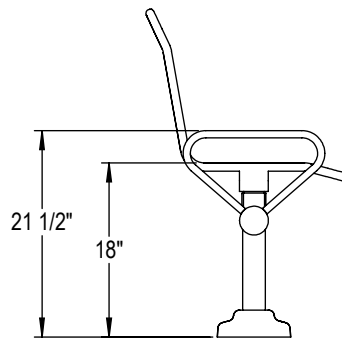
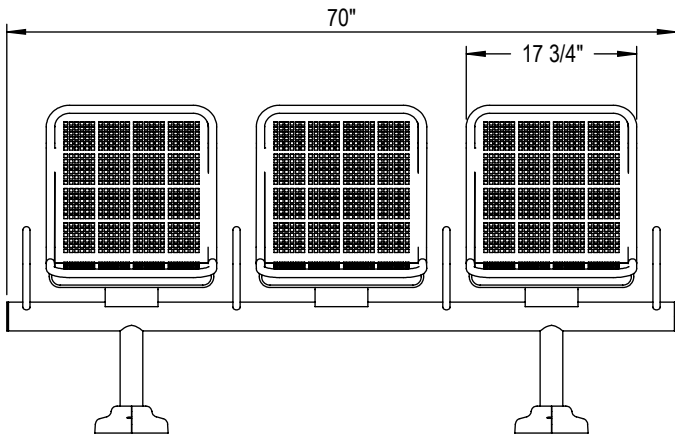
DIE CAST GROUT COVERS

ARM OPTION - SPECIFY  
 NUMBER OF ARMS DESIRED \_\_\_\_\_



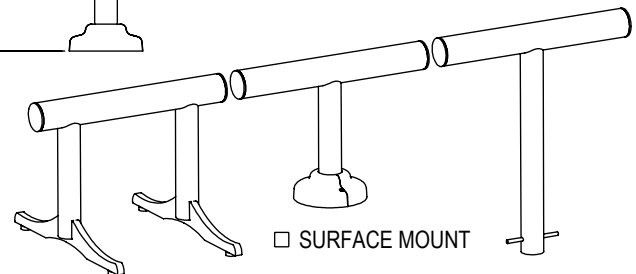
3" DIAMETER TUBING

2 3/8" DIAMETER TUBING



21 1/2"

18"



SURFACE MOUNT

FREE STANDING

IN GROUND

PRODUCT: SSMB-3  
 DESCRIPTION: STATE STREET BACKED MODULAR BENCH,  
 3 SEAT

DATE: 10-6-15  
 ENG: SMC

ALL FASTENERS ARE STAINLESS STEEL  
 SOME ASSEMBLY REQUIRED

CHECK DESIRED MOUNT

CONFIDENTIAL DRAWING AND INFORMATION IS NOT TO BE COPIED OR DISCLOSED  
 TO OTHERS WITHOUT THE CONSENT OF GRABER MANUFACTURING, INC.  
 SPECIFICATIONS ARE SUBJECT TO CHANGE WITHOUT NOTICE.

SITE FURNISHING IS POWDER COATED WITH TGIC POLYESTER.  
 STEEL SURFACE PREP INCLUDES MECHANICAL AND CHEMICAL  
 ETCHING FOLLOWED WITH A COATING TO IMPROVE ADHESION  
 AND CORROSION RESISTANCE.