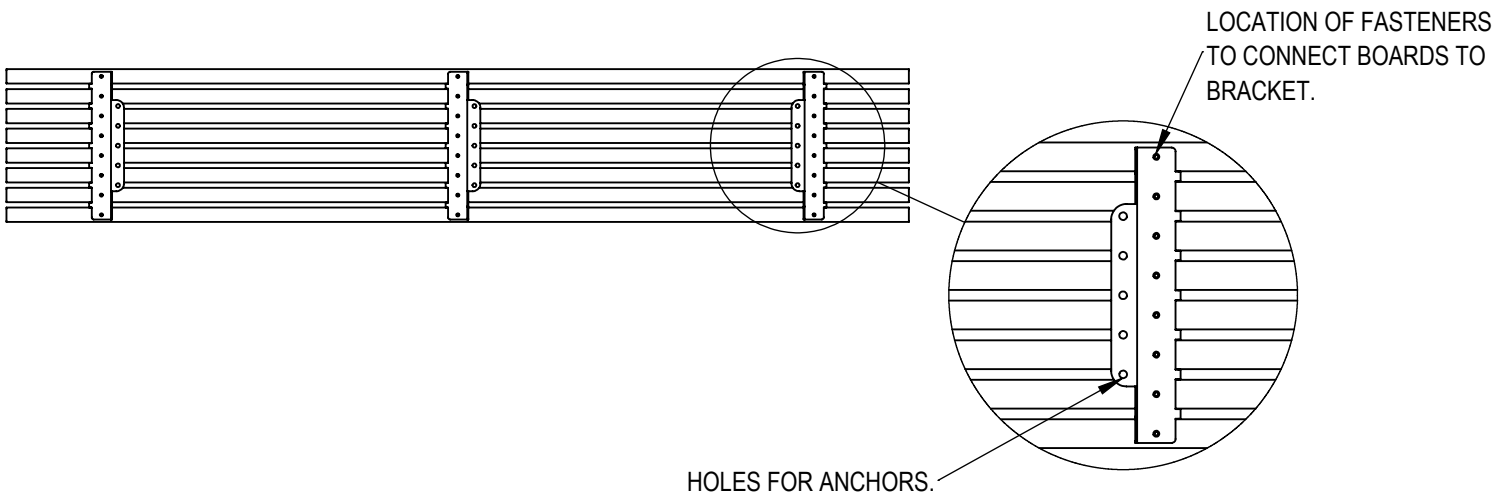
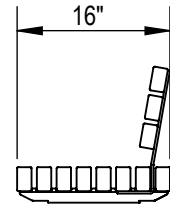
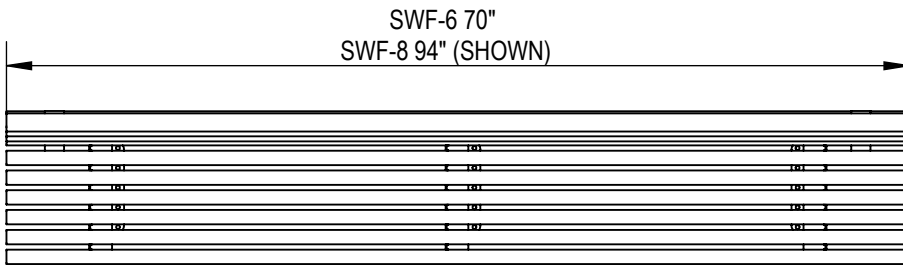


□ HALF BACK

SHOWN WITH CORTEN OR PIP WALL
 INSTALLED BY OTHERS



PRODUCT: SWB-L-TWM
 DESCRIPTION: SAWYER BACKED BENCH, TOP WALL MOUNT

DATE: 3-8-2019
 ENG: BLW

ASSEMBLY REQUIRED. ALL FASTENERS ARE STAINLESS STEEL.

CONFIDENTIAL DRAWING AND INFORMATION IS NOT TO BE COPIED OR DISCLOSED TO OTHERS WITHOUT THE CONSENT OF GRABER MANUFACTURING, INC. SPECIFICATIONS ARE SUBJECT TO CHANGE WITHOUT NOTICE.

SITE FURNISHING IS POWDER COATED WITH TGIC POLYESTER. STEEL SURFACE PREP INCLUDES MECHANICAL AND CHEMICAL ETCHING FOLLOWED WITH A COATING TO IMPROVE ADHESION AND CORROSION RESISTANCE.