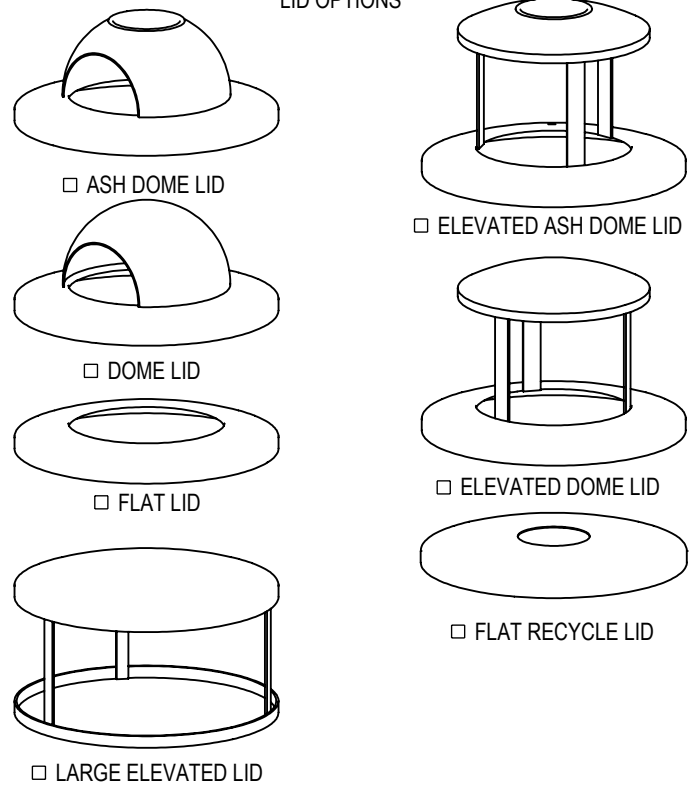


LID OPTIONS



TRASH LIDS ARE ATTACHED WITH STEEL VINYL COATED AIRCRAFT CABLE. PLASTIC LINER INCLUDED. ALL FASTENERS ARE STAINLESS STEEL.

SITE FURNISHING IS POWDER COATED WITH TGIC POLYESTER. STEEL SURFACE PREP INCLUDES MECHANICAL AND CHEMICAL ETCHING FOLLOWED WITH A COATING TO IMPROVE ADHESION AND CORROSION RESISTANCE.

PRODUCT: CRTRN-38
DESCRIPTION: CARNIVAL TRASH RECEPTACLE 38 GAL.
1.315 OD PIPE, NO TOP/BASE RING

DATE: 5-21-15
ENG: SMC

CONFIDENTIAL DRAWING AND INFORMATION IS NOT TO BE COPIED OR DISCLOSED TO OTHERS WITHOUT THE CONSENT OF GRABER MANUFACTURING, INC. SPECIFICATIONS ARE SUBJECT TO CHANGE WITHOUT NOTICE.