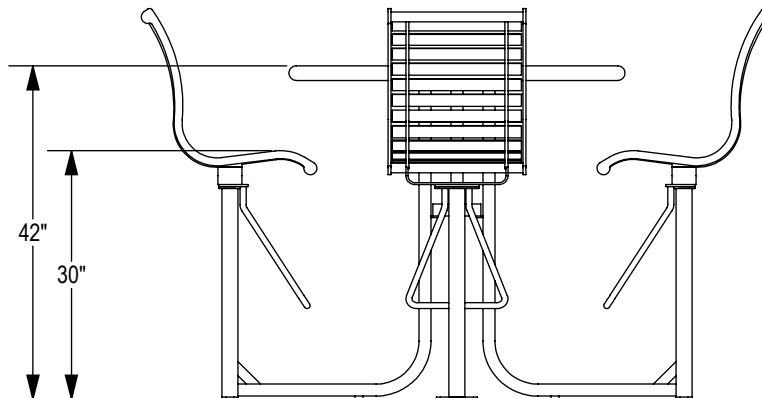
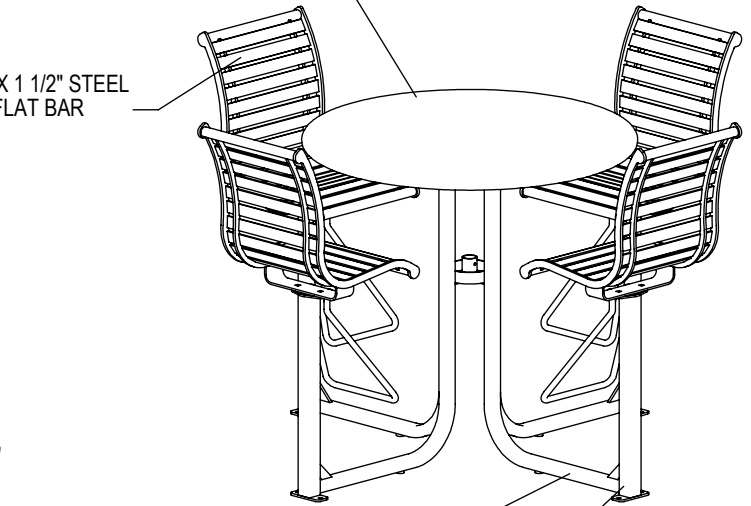
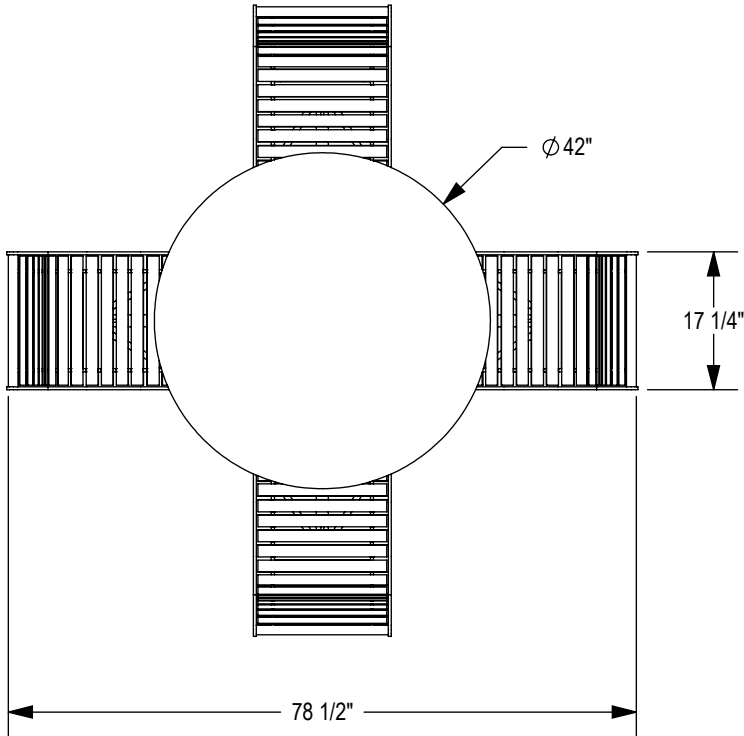


12GA. (.109" WALL)  
 SPUN STEEL  
 WITH 1 1/2" 'C' ROLLED EDGE

3/16" X 1 1/2" STEEL  
 FLAT BAR

1 1/2" SQUARE STEEL TUBE

2" SQUARE STEEL TUBE



PRODUCT: LATB-4B  
 DESCRIPTION: LANGDON BAR HEIGHT TABLE, 4 BACKED SEATS

DATE: 11-12-18  
 ENG: SMC

CONFIDENTIAL DRAWING AND INFORMATION IS NOT TO BE COPIED OR DISCLOSED  
 TO OTHERS WITHOUT THE CONSENT OF GRABER MANUFACTURING, INC.  
 SPECIFICATIONS ARE SUBJECT TO CHANGE WITHOUT NOTICE.

UMBRELLA HOLE OPTION

SOME ASSEMBLY REQUIRED

SITE FURNISHING IS POWDER COATED WITH TGIC POLYESTER.  
 STEEL SURFACE PREP INCLUDES MECHANICAL AND CHEMICAL  
 ETCHING FOLLOWED WITH A COATING TO IMPROVE ADHESION  
 AND CORROSION RESISTANCE.