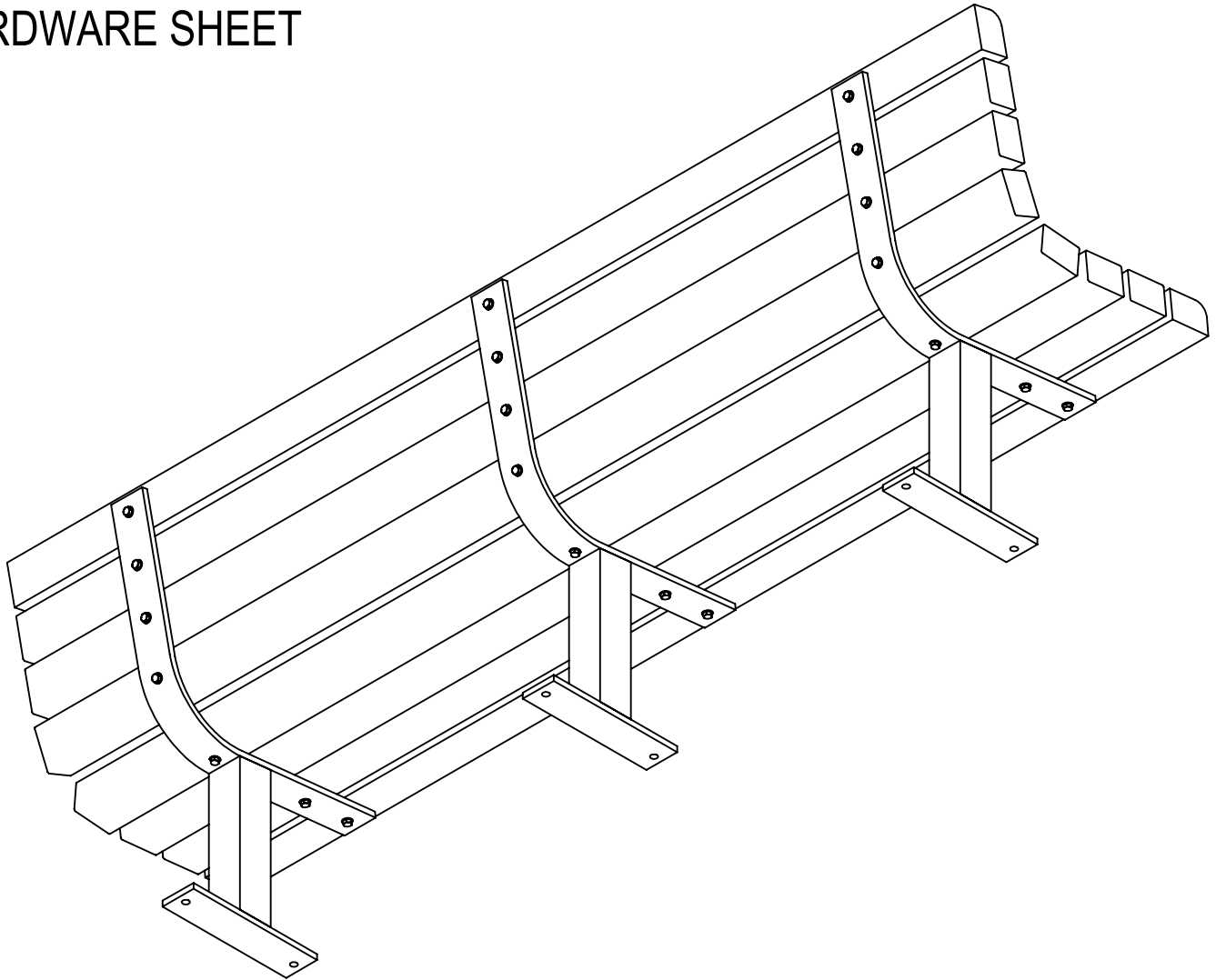




WDB-8-RP HARDWARE SHEET



ITEM NO.	PART NUMBER	QTY.
1	WDB End Frame	3
2	WDB-94 4x3 Bullnose	2
3	WDB-94 4x3 Square	6
4	3/8" x 2" SS Lag Bolt	24
5	3/8" Flat Washer	24