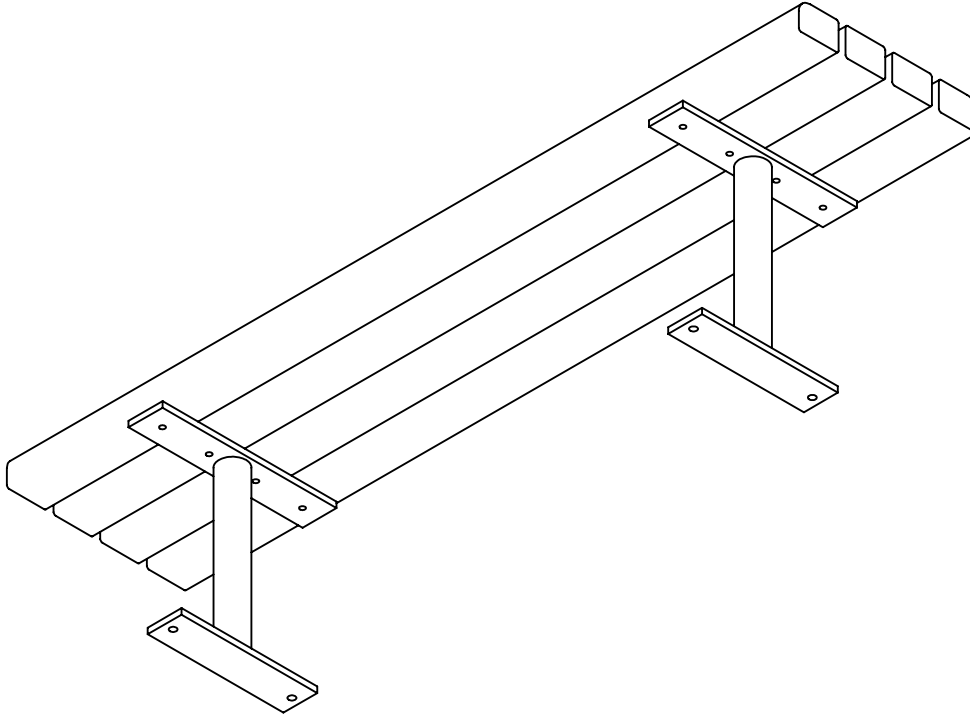




# WDF2-6-WI HARDWARE SHEET



ITEM NO.	PART NUMBER	QTY.
1	WDF2 End Frame	2
2	WDB-70 4x3 Bullnose	2
3	WDB-70 4x3 Square	2
4	3/8" x 2" SS Lag Bolt	8
5	3/8" SS Flat Washer	8