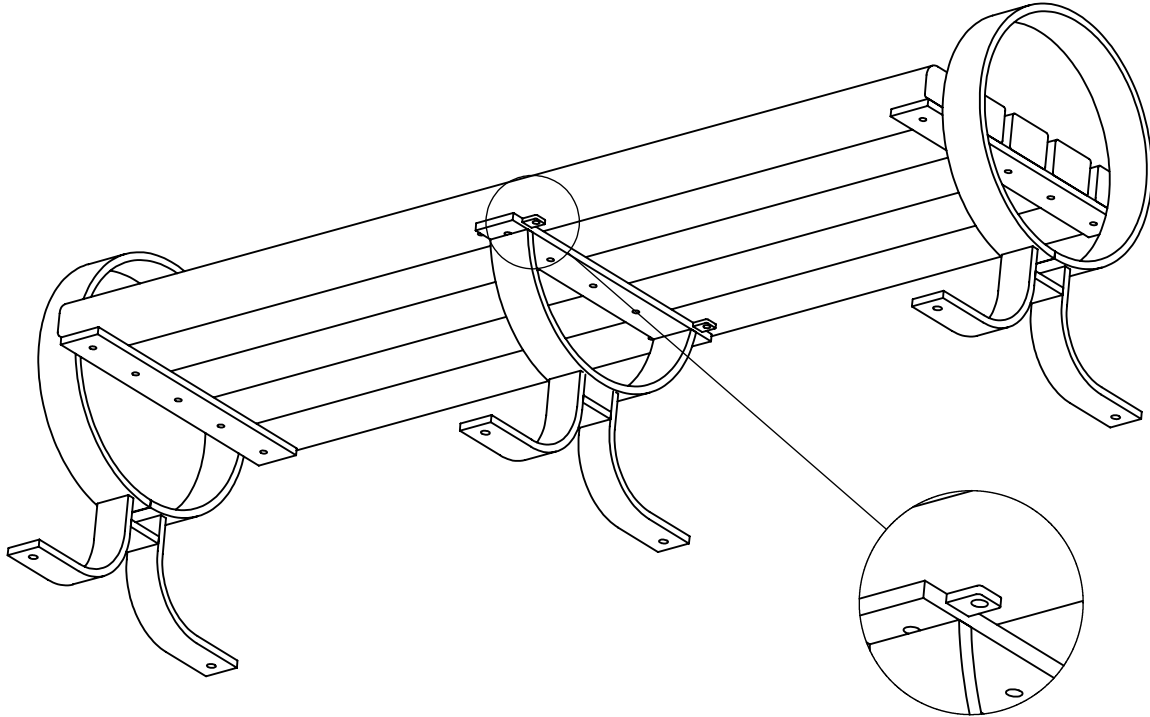


# WDFC-RP HARDWARE SHEET



TABS DETERMINE RIGHT OR  
LEFT BULLNOSE BOARD

ITEM NO.	PART NUMBER	QTY.
1	WDFC-EF	2
2	WDBC-EF Center	1
3	WDBC 4x3 Square	3
4	WDBC 4x3 Left Bullnose	1
5	WDBC 4X3 Right Bullnose	1
6	3/8" x 2" SS Lag Bolt	15
7	3/8" SS Flat Washer	15